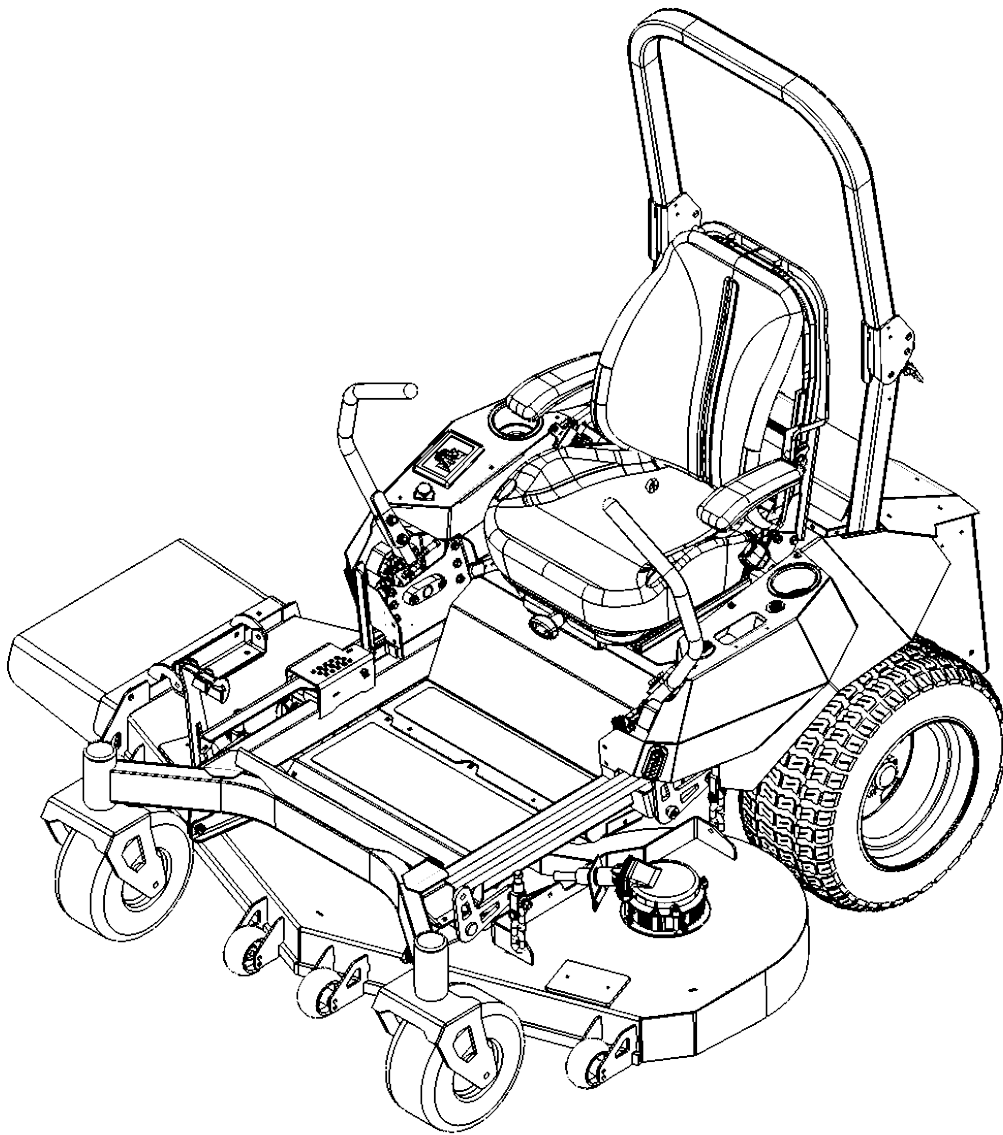




MEAN GREEN

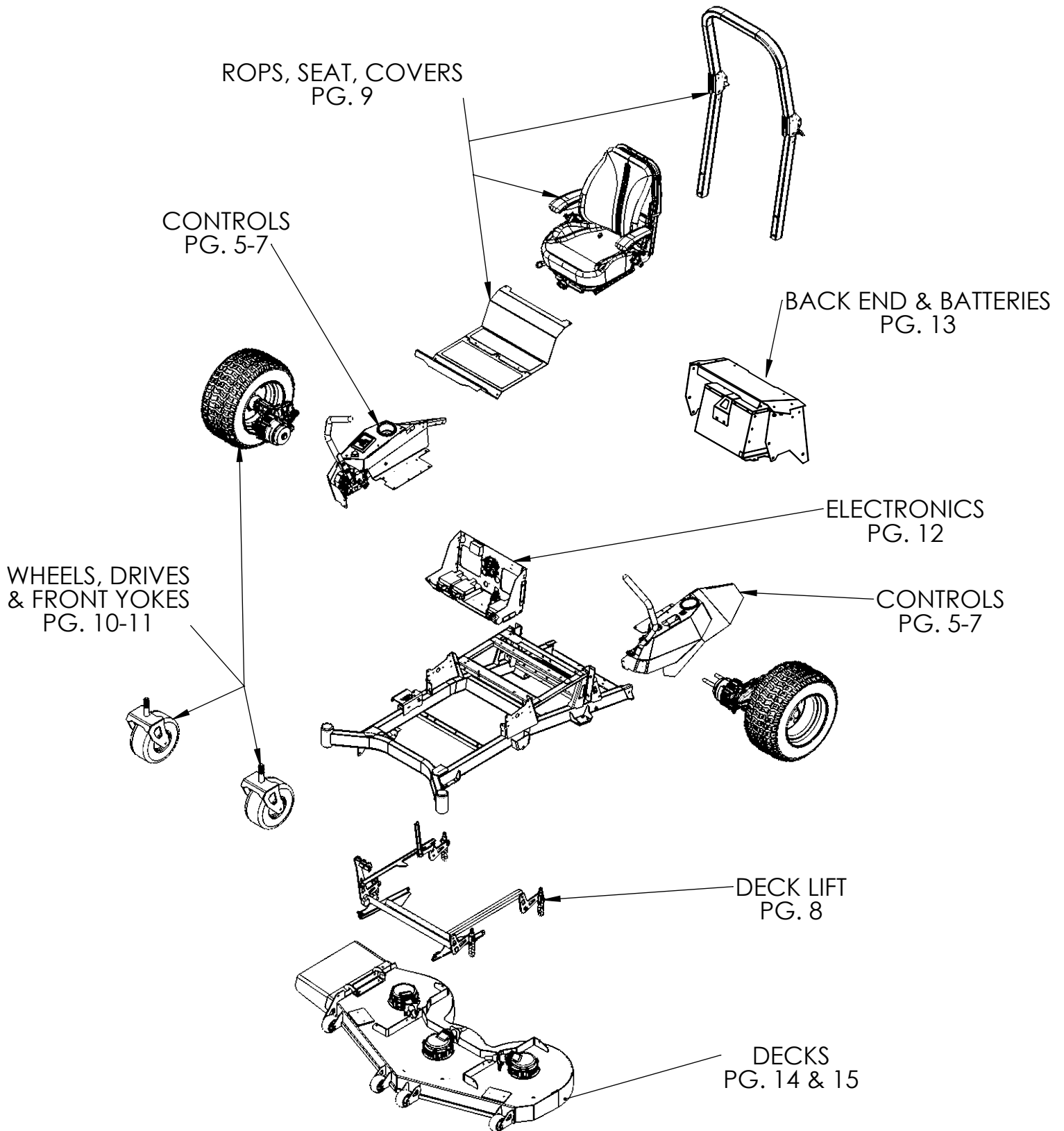
M O W E R S



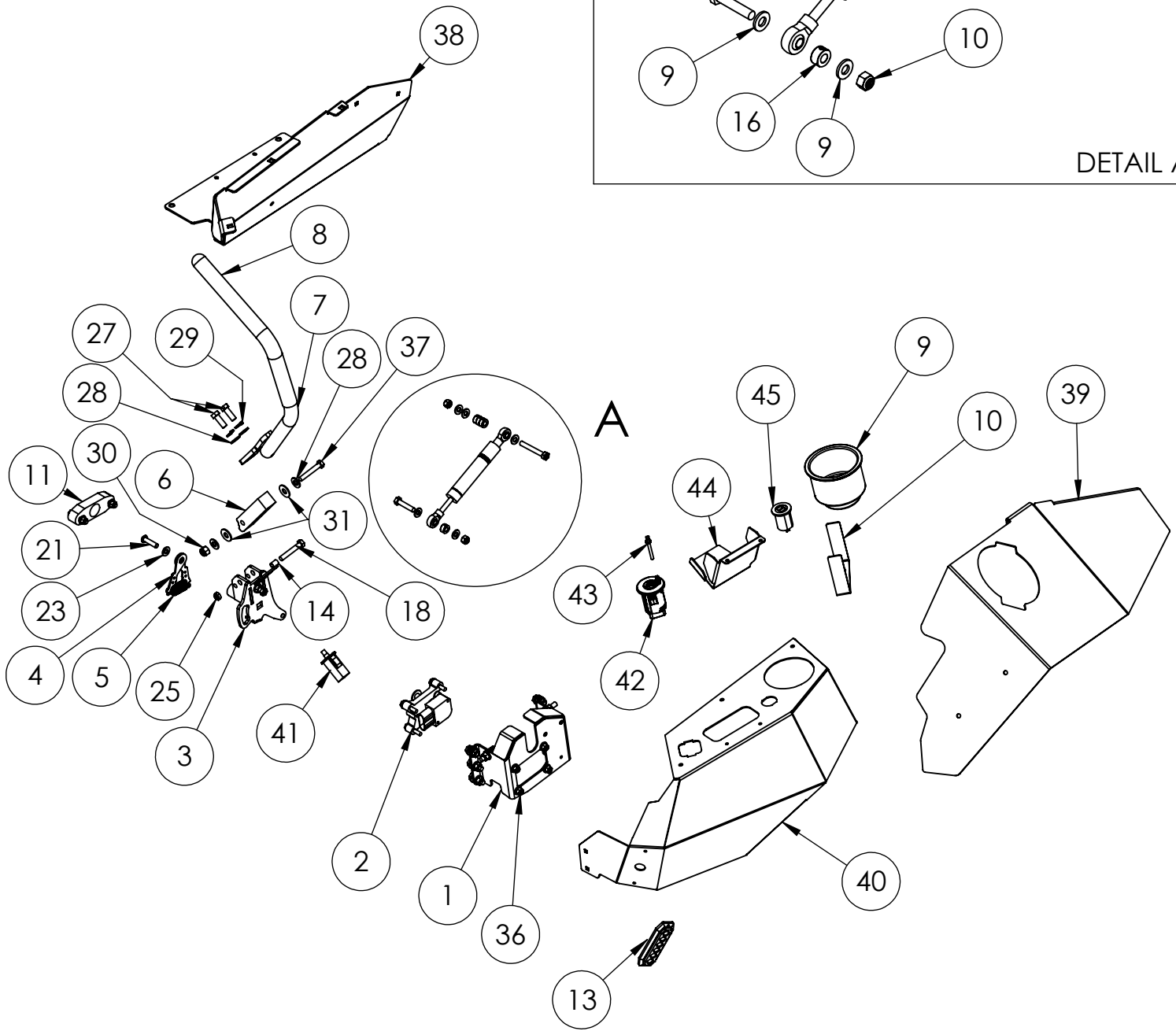
NOTES:

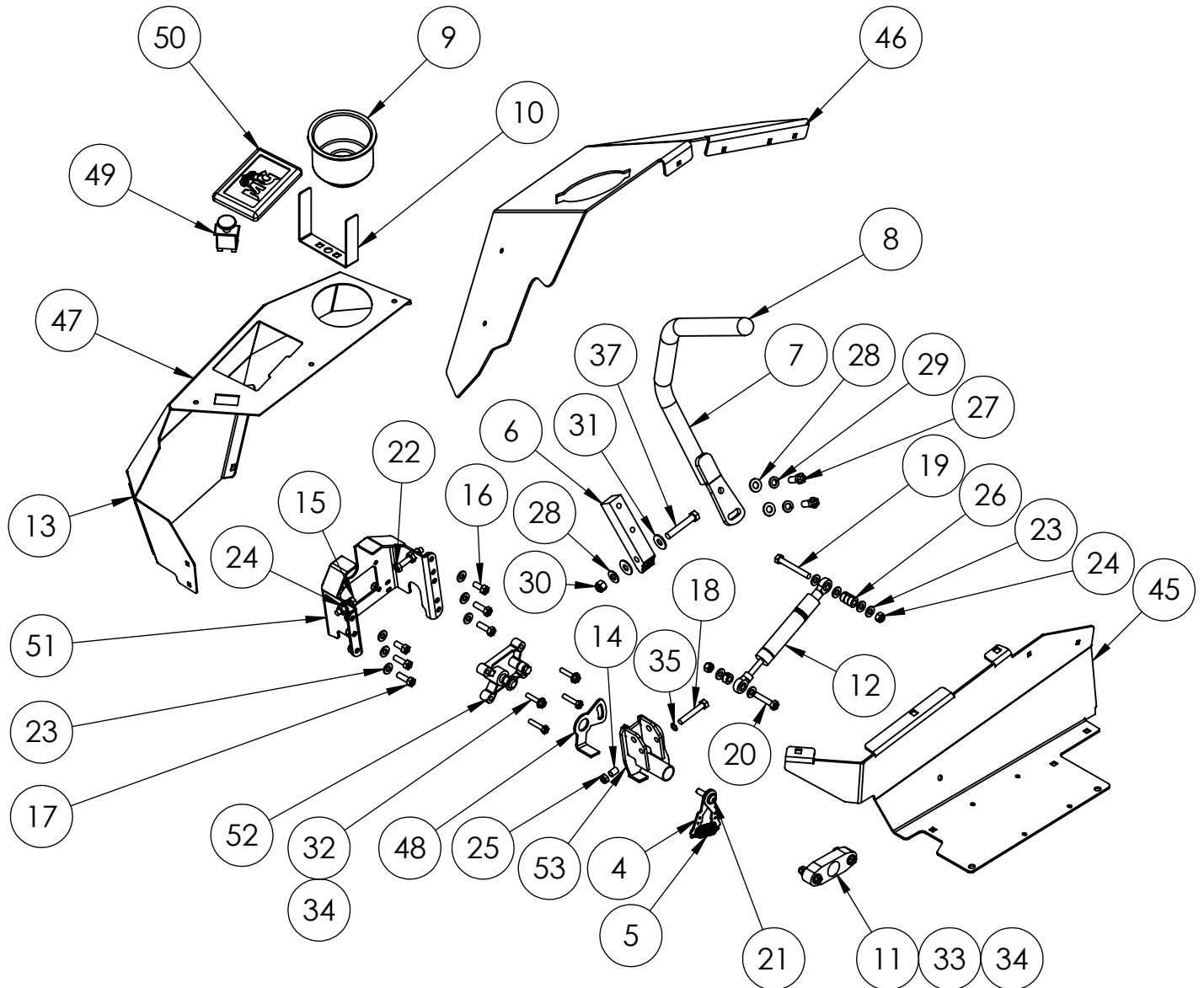
REVISIONS			
REV.	DESCRIPTION	DATE	APPROVED
-	INITIAL RELEASE	8/1/22	-

<u>DESCRIPTION</u>	<u>PAGE NUMBER</u>
CONTROLS	5-7
DECK LIFT	8
ROPS, SEAT, & COVER PANELS	9
WHEELS & DRIVES	10-11
ELECTRONICS COMPARTMENT	12
REAR END & BATTERIES	13
60" DECK	14
48" DECK	15

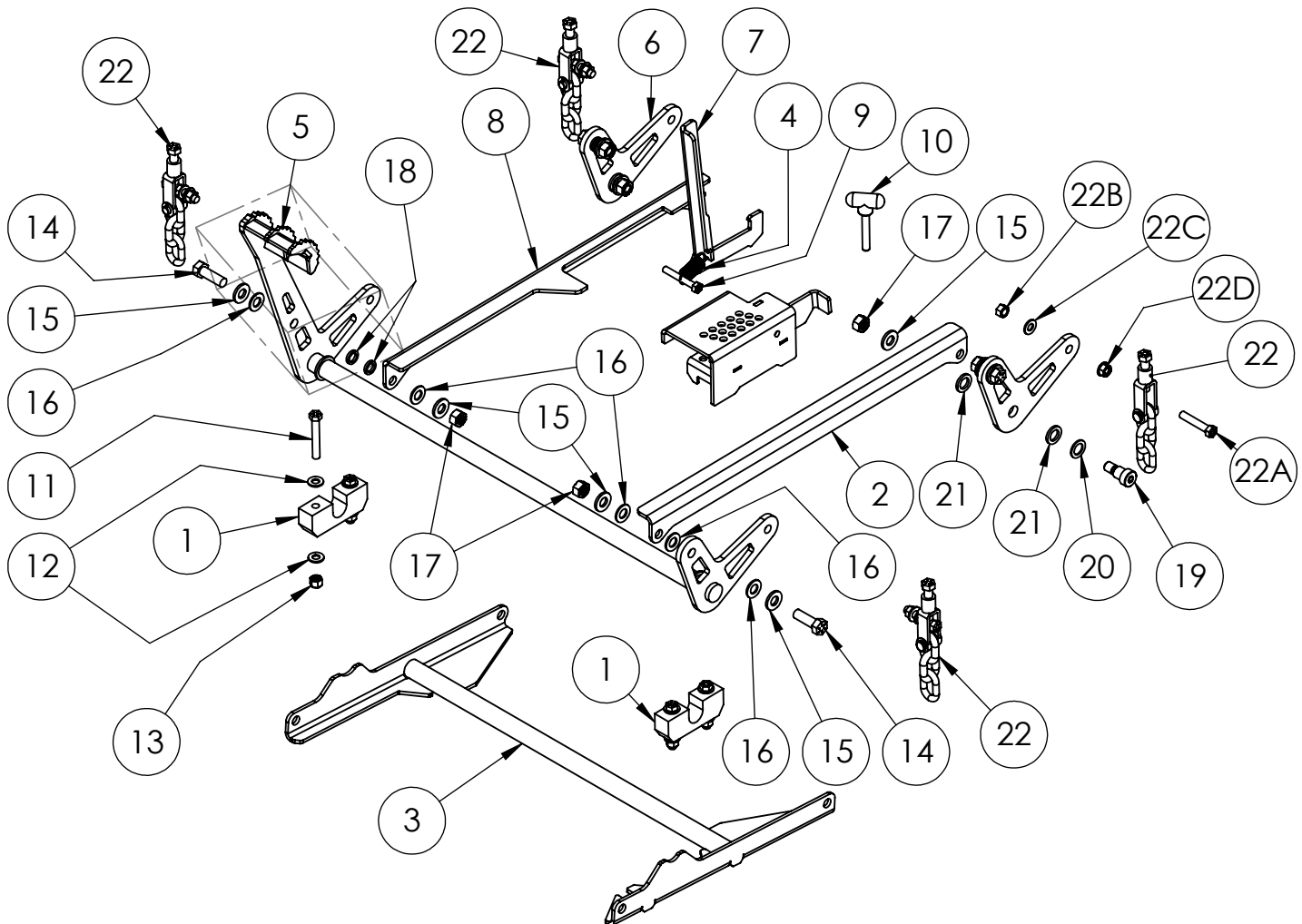


ITEM NO.	PART NUMBER	DESCRIPTION	QTY.
1	A0002957257	LEFT CONTROL HOUSING WELDMENT-DR BLACK	1
2	MGELC068	SENSOR-RTN-LEFT HAND ZT	1
3	AMGCRX04	CONTROLS HANDLE BAR WLDMT - DR BLACK	1
4	MGUPN046	PLATE-CONTROL SPRING RETURN	4
5	MGUPN047	SPRING-2.0LG .63OD .08WIRE	2
6	MGUPN248	PLATE-CONTROLS ARM MOUNT	2
7	A0002941117	CTRL RIGHT HANDLE BAR WDMT - DR BLACK	2
8	MGUPN147	EVO, RVL, CXR & NXR HAND GRIP	2
9	MGUPN043	CUP HOLDER	2
10	A0003164158	BRKT-CUP HOLDER-DR BLACK	2
11	MGUPN264	PLATE- CONTROLS ROTATIONAL MOUNT	2
12	MGUPN048	CONTROLS DAMPENER 9.5x24 SROID	2
13	MGELC205	LED SURFACE MOUNT LIGHT (12V)	2
14	MGHDW409	SPACER-5/16 ID x 3/8 OD x 1/2 L - SLEEVE - BLK - PLASTIC	4
15	MGHDW111	5/16-18x1-1/4 FT HHCS	2
16	MGHDW109	5/16-18x3/4 FT HHCS	6
17	MGHDW110	5/16-18x1.00 FT HHCS	8
18	MGHDW114	5/16-18x2.00 PT HHCS, GR8 YZP	4
19	MGHDW116	5/16-18x2-1/2 PT HHCS	2
20	MGHDW112	5/16-18x1-1/2 PT HHCS	2
21	MGHDW600	5/16-24 X 1-1/4 BSCS	2
22	MGHDW163	5/16-18x2.00 FT HHCS	2
23	MGHDW201	5/16 FLAT WASHER	42
24	MGHDW304	5/16-18 NYLOCK	16
25	MGHDW302	5/16-18 HALF NYLOCK	6
26	MGHDW400	5/16x5/8 SHAFT COLLAR	8
27	MGHDW120	3/8-16x1.00 FT HHCS	4
28	MGHDW414	3/8 FLAT WASHER	8
29	MGHDW204	3/8 LOCK WASHER	4
30	MGHDW305	3/8-16 NYLOCK	2
31	MGHDW203	3/8x1.00 O.D. NYLON FLAT WASHER	4
32	MGHDW103	1/4-20x1-1/4 PT HHCS	8
33	MGHDW104	1/4-20x1-1/2 PT HHCS, GR8 YZP	4
34	MGHDW200	1/4 FLAT WASHER	20
35	MGHDW205	1/4x1/2 O.D. NYLON WASHER	2
36	MGHDW303	1/4-20 NYLOCK	12
37	MGHDW126	3/8-16x2-1/4 PT HHCS	2
37	A0003164160	BRKT-LH SEAT MOUNTING EZTR-DR BLACK	1
38	A0002958854	FENDER-LEFT REAR - MG GREEN	1
39	A0002958450	LEFT SIDE CONTROL PANEL WDMT - MG GREEN	1
40	MGELC019	LAP BAR SAFTEY SWITCH GRAY	1
41	MGELC116	PUSH BUTTON ON/OFF	1
42	MGELC116-1	POWER PULL FOB (SPARE)	1
43	A0002958505	PHONE HOLDER BRKT - DR BLACK	1
44	MGELC038	USB PORT	1
45	A0003164159	BRKT-RH SEAT MOUNTING EZTR-DR BLACK	1
46	A000295817	FENDER-RIGHT REAR - MG GREEN	1
47	A0002958503	RIGHT SIDE CONTROL PANEL WDMT - MG GREEN	1
48	MGMUP017	BRACKET-CONTROLS ROTATION LIMITER	1
49	MGELC009	PTO SWITCH	1
50	MGELC117	TOUCH SCREEN DISPLAY	1
51	A0002941119	RIGHT CONTROL HOUSING WELDMENT-DR BLACK	1
52	MGELC060	SENSOR-RTN-RIGHT HAND ZT	1
53	A0002941120	CONTROLS HANDLE BAR WLDMT - DR BLACK	1

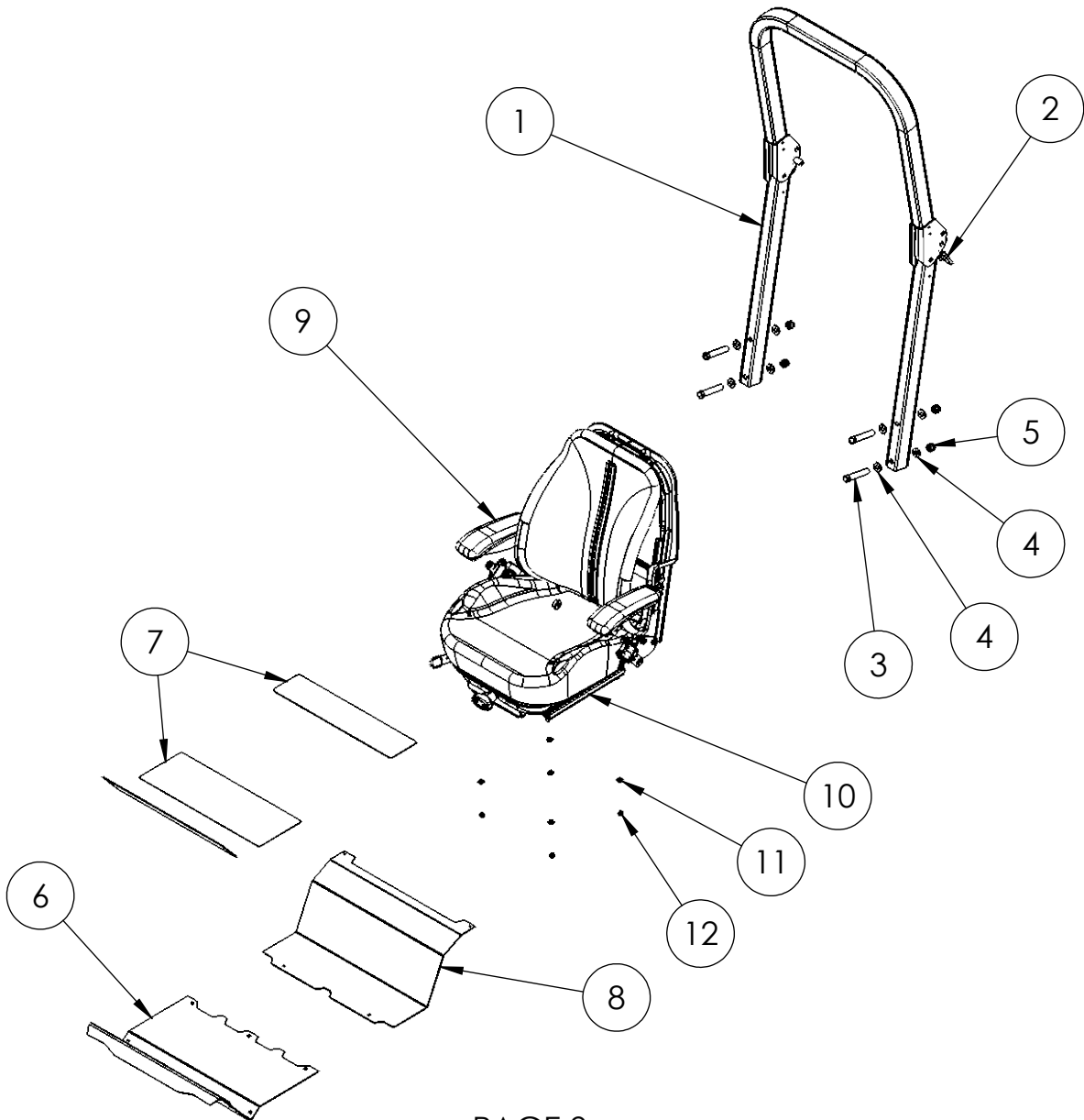




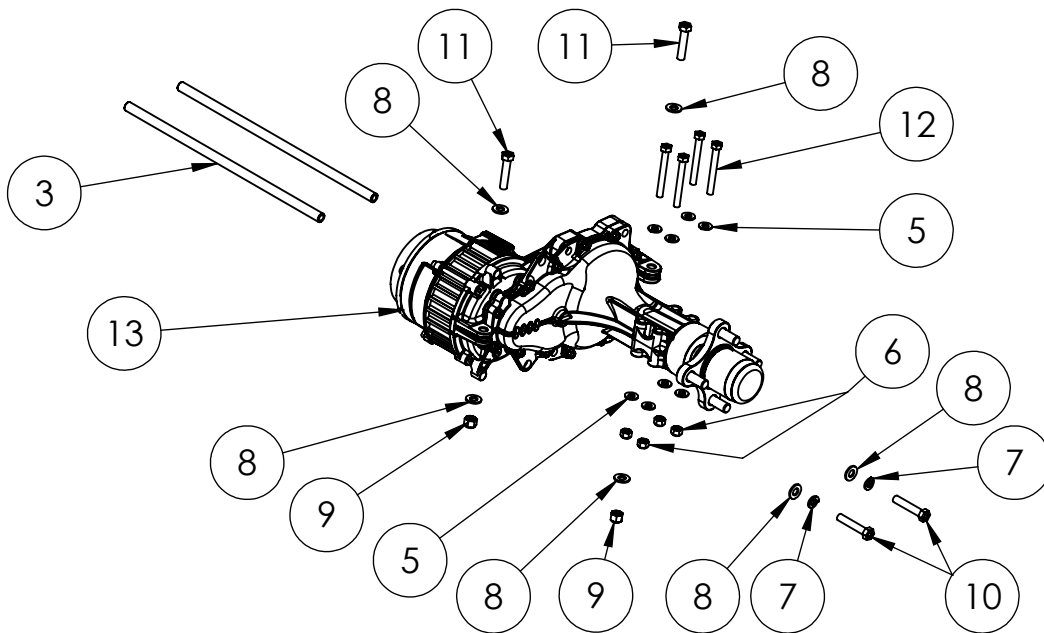
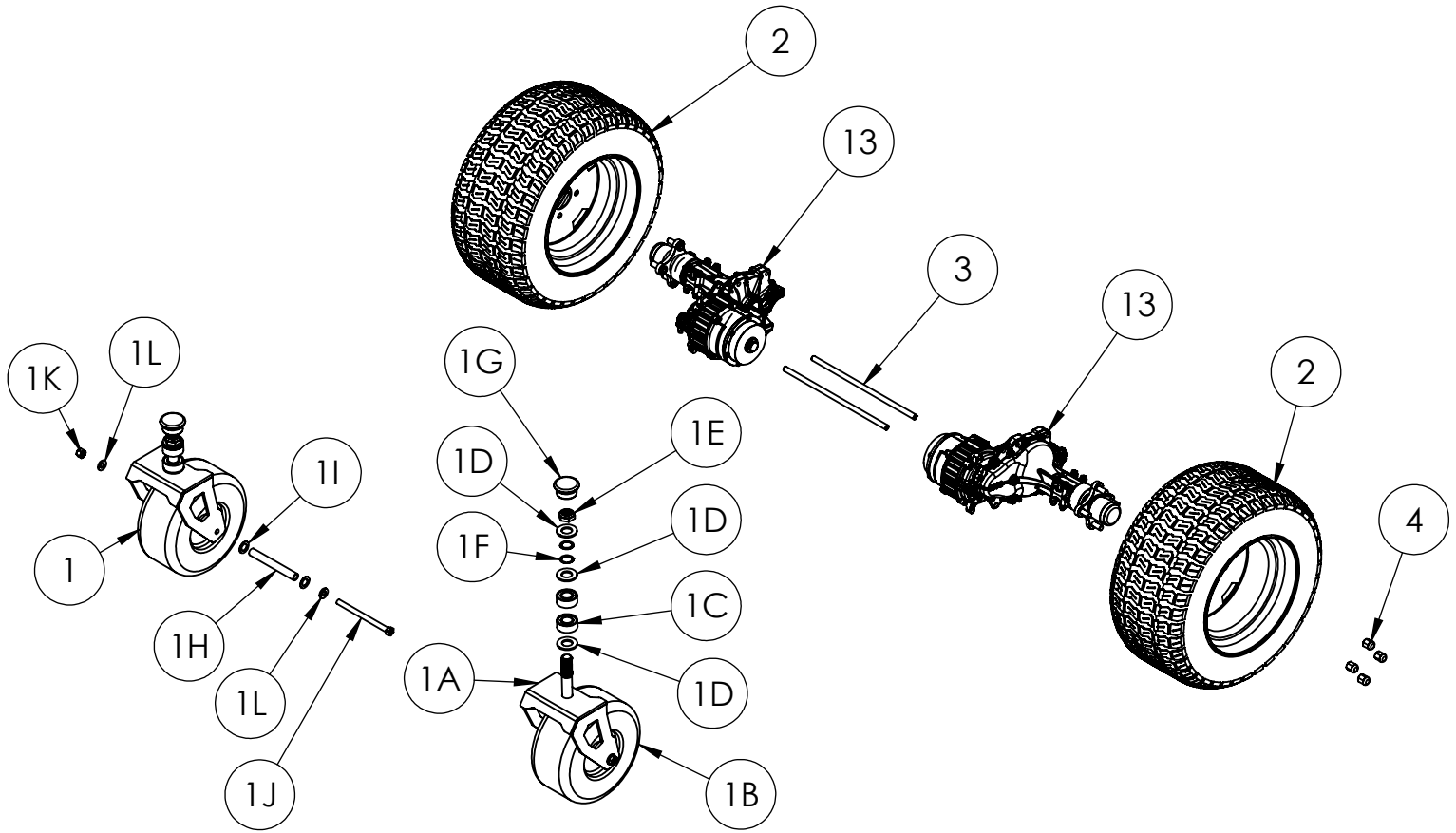
ITEM NO.	PART NUMBER	DESCRIPTION	QTY.
1	MGUPN086	PLASTIC PILLOW BLOCK-1" LIFT ARM	2
2	A0003165282	BRKT-DECK HEIGHT FRAME MT LH - MG GREEN	1
3	A0003165842	WDMT-DECK STABILIZER EZTR-DR BLACK	1
4	MGUPN549	DECK LIFT SPRING (ZT5e/NXR)	1
5	A0003165278	WDMT-FRONT DECK LIFT BAR-DR BLACK	1
6	A0003165279	PLATE-DECK HEIGHT ADJUST REAR-DR BLACK	2
7	A0003165277	LEVER-DECK RELEASE EZTR-DR BLACK	1
8	A0003165283	BRKT-DECK HEIGHT FRAME MT RH-MG GREEN	1
9	MGUPN428-2	DECK HEIGHT ADJUSTMENT PIN (2-1/8" LENGTH)	1
10	MGHDW115	5/16-18x2-1/4 PT HHCS, GR8 YZP	1
11	MGHDW127	3/8-16x2-1/2 PT HHCS	4
12	MGHDW414	3/8 FLAT WASHER	8
13	MGHDW305	3/8-16 NYLOCK	4
14	MGHDW143	1/2-13x1-1/2 FT HHCS, GR8 YZP	4
15	MGHDW210	1/2 FLAT WASHER	10
16	MGHDW211	0.5x1.0x.08 NYLON SPACER	10
17	MGHDW321	1/2-13 TOP LOCK	6
18	MGHDW212	0.5x0.75x.125 NYLON SPACER	4
19	MGHDW606	1/2-13x5/8ODx58LG SHOULDER BOLT	2
20	MGHDW226	5/8 14 GA MACHINE BUSHING	2
21	MGHDW224	0.635x1.00x0.125 NW	4
22	A0002494310	DECK CHAIN ASSY	4
22A	MGHDW125	3/8-16x2.00 PT HHCS, GR8 YZP	4
22B	MGHDW305	3/8-16 NL YZ	4
22C	MGHDW414	3/8 FLAT WASHER	4
22D	MGHDW330-1	3/8-16 S FLANGE GR8	4



<u>ITEM NO.</u>	<u>PART NUMBER</u>	<u>DESCRIPTION</u>	<u>QTY.</u>
1	AMGUPN65	ASSY-ROPS-ZT5E-NEMESIS	1
2	MGUPN413	ROPS PIN	2
3	MGHDW150	1/2-13x3-1/4 PT HHCS, GR8 YZP	4
4	MGHDW210	1/2 FLAT WASHER	8
5	MGHDW320	1/2-13 NYLOCK	4
6	A0003164163	PAN-FLOOR EZTR-MG GREEN	1
7	MGUPN516	Anti Skid Feet Grip Tape Kit	1
8	A0003165276	PANEL-ELECTRONICS TOP COVER-MG GREEN	1
9	MGUPN323	HIGHBACK SUSPENSION SEAT, (RVL/EVO/NXT)	1
10	MGELC107	SEAT SWITCH CONNECTOR	1
11	MGHDW201	5/16 FLAT WASHER	4
12	MGHDW319	3/16-18 TOP LOCK	4

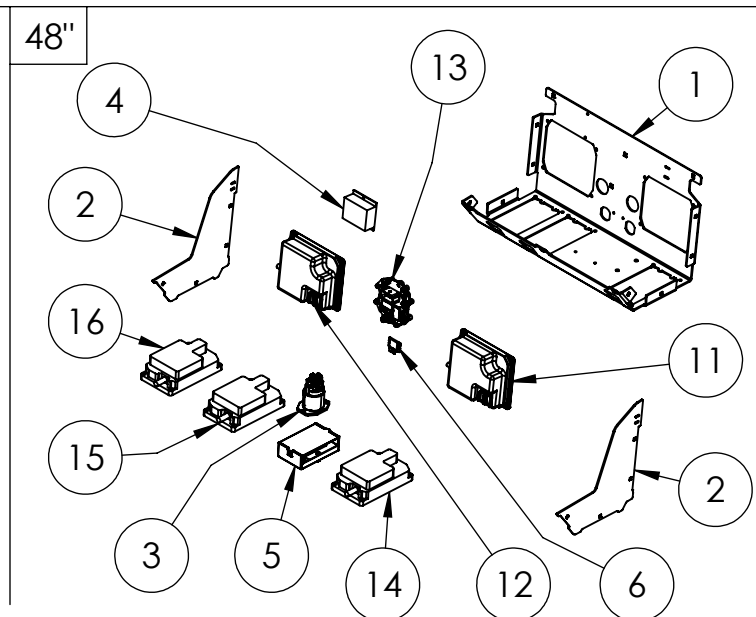
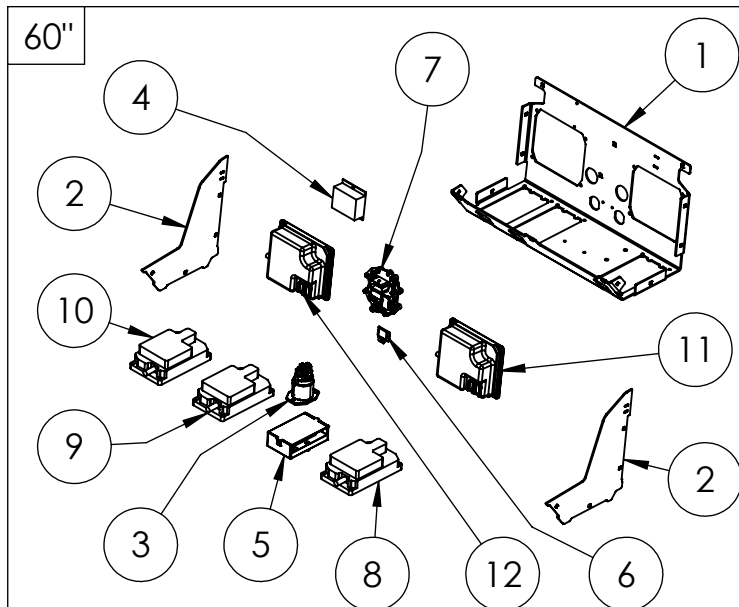
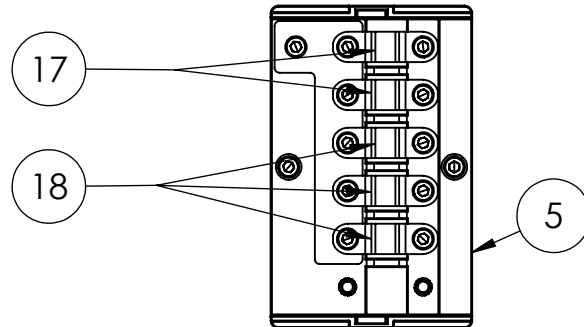


<u>ITEM NO.</u>	<u>PART NUMBER</u>	<u>DESCRIPTION</u>	<u>QTY.</u>
1	AMGYKE09	FRONT SPINDLE ASSY - MG GREEN	2
1A	A0003165844	CASTER-YOKE-FIXED 11IN WHEEL-MG GREEN	2
1B	MGUPN514	11x6.00-5 PNEUMATIC WHEEL	2
1C	MGUPN386	MAIN SPINDLE BEARING	4
1D	MGHDW209	1.00 FLAT WASHER	6
1E	MGHDW313	1.00-8 HNL	2
1F	MGHDW229	1" SPRING WASHER	4
1G	MGUPN090	MACHINE SPINDLE CAP	2
1H	MGUPN226-1	SPANNER-3/4INOD x .120IN WALL X 6.125IN LENGTH	2
1I	MGHDW237-2	3/4 14 GA MACHINE BUSHING	4
1J	MGHDW167-1	1/2-13x7-3/4 PT HHCS, GR8 YZP	2
1K	MGHDW320	1/2-13 NYLOCK	2
1L	MGHDW210	1/2 FLAT WASHER	4
2	MGUPN512	WHEEL-22 X 10.5-.75 OFFSET-PPZ-1	2
3	MGUPN527	TUBE-TORQU-ZT5E MOWER-PPZ-1	2
4	MGHDW327	1/2-20 - CONICAL LUG NUT - GRADE 8 - ZINC	8
5	MGHDW201	5/16 FLAT WASHER	16
6	MGHDW304	5/16-18 NYLOCK	8
7	MGHDW204	3/8 LOCK WASHER	4
8	MGHDW414	3/8 FLAT WASHER	12
9	MGHDW305	3/8-16 NYLOCK	4
10	MGHDW125	3/8-16x2.00 PT HHCS, GR8 YZP	4
11	MGHDW122-1	3/8-16x1-3/4 PT HHCS	4
12	MGHDW117	5/16-18x2-3/4 PT HHCS, GR8 YZP	8
13	MGELC191	ZT2800e Drive	2

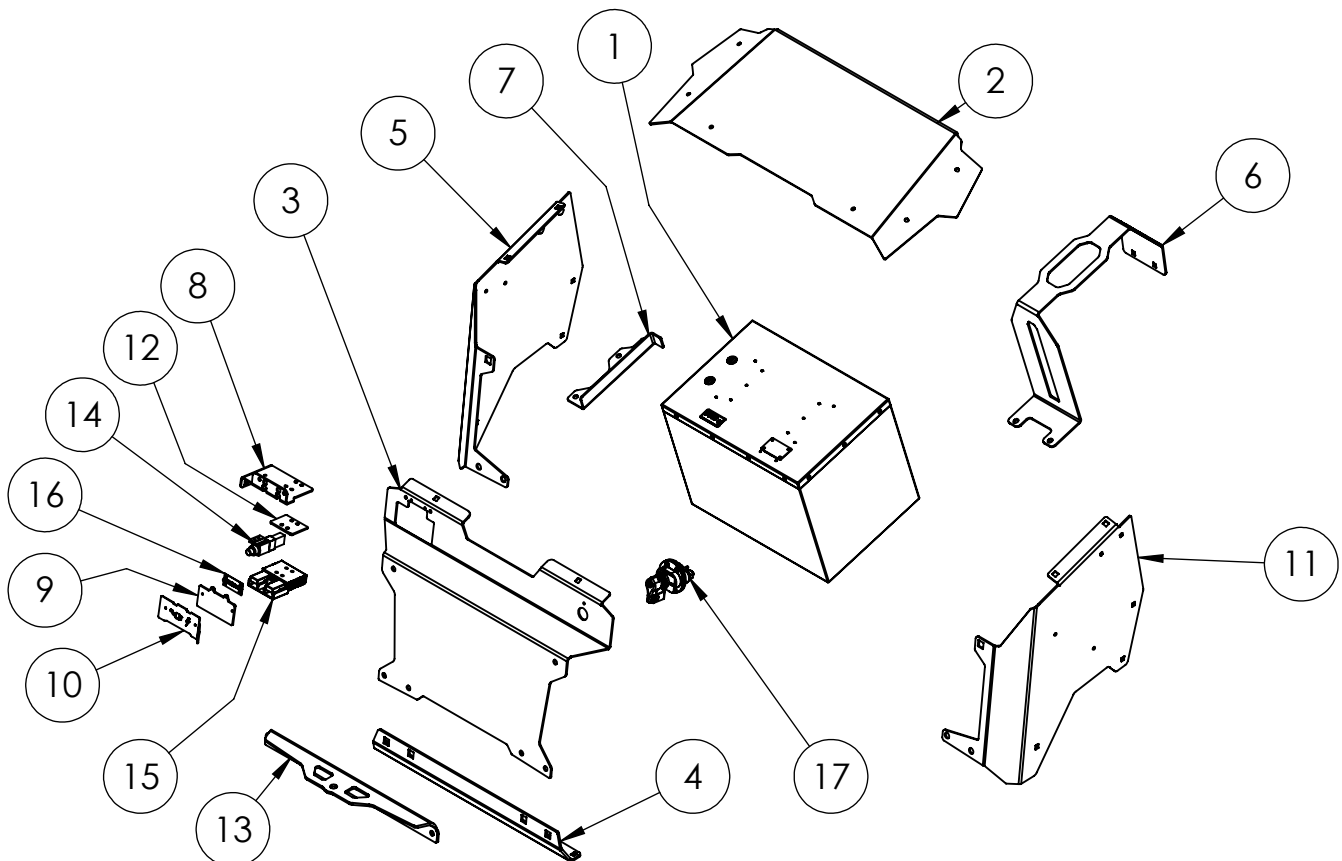


ITEM NO.	PART NUMBER	DESCRIPTION	QTY.
1	A0003165845	PANEL-ELECTRONICS MOUNTING EZTR-DR BLACK	1
2	A0003165846	PLATE, ELEC COVER EZTR - DR BLACK	2
3	MGELC105	48V SHALLCO CONTACTOR RELAY	1
4	MGELC047	12v CONVERTER	1
5	MGELC206	FUSE PANEL	1
6	MGELC200-1	10 Ohm 300w RESISTOR	1
7	MGELC189	eVIM - MG60 & DR60	1
8	MGELC187-L	DC-2200 Deck Controller L-60"	1
9	MGELC187-C	DC-2200 Deck Controller C-60"	1
10	MGELC187-R	DC-2200 Deck Controller R-60"	1
11	MGELC194-LH	TC-2200 Controller LH - 2800e	1
12	MGELC194-RH	TC-2200 Controller RH - 2800e	1
13	MGELC188-1	eVIM-ZT2800e	1
14	MGELC186-L	DECK CONTROLLER LH - 48" DECK	1
15	MGELC186-C	DECK CONTROLLER CENTER - 48" DECK	1
16	MGELC186-R	DECK CONTROLLER RH - 48" DECK	1
17	MGELC202-1	MIDI BOLT DOWN FUSE Bf1 100A 58V	2
18	MGELC202	MIDI BOLT DOWN FUSE Bf1 100A 58V	3
* 19	AMGELC49	NXR LOW CURRENT HARNESS KIT (MAIN)	1
* 20	AMGELC50	NXR HIGH CURRENT HARNESS KIT (BATTERY)	1

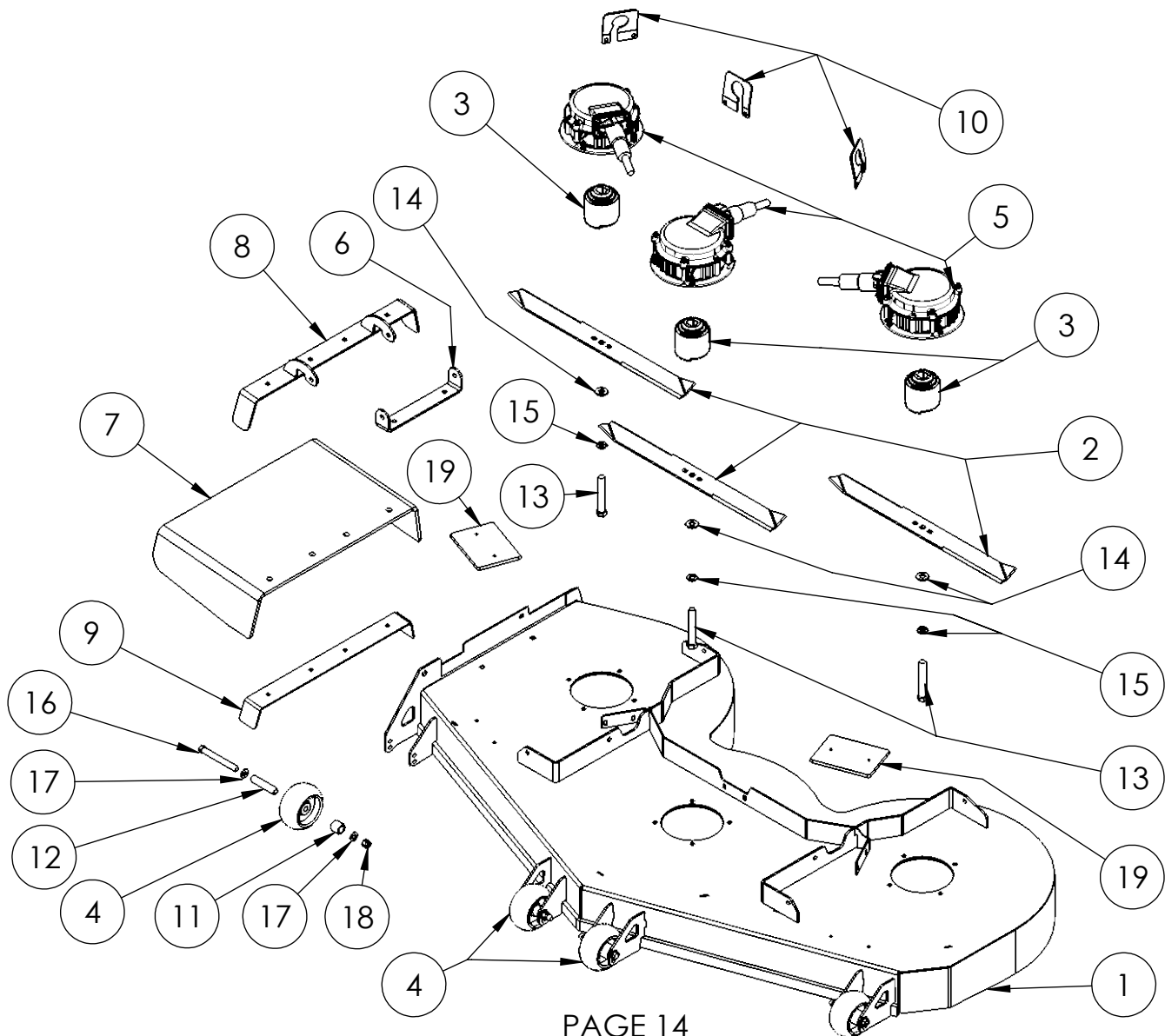
*NOT SHOWN



<u>ITEM NO.</u>	<u>PART NUMBER</u>	<u>DESCRIPTION</u>	<u>QTY.</u>
1			1
2	A0003239644	HOOD-NEMESIS-MG GREEN	1
3	A0003239645	PLATE-REAR NEMESIS-MG GREEN	1
4	A0003239646	PLATE-REAR NEMESIS BOTTOM-MG GREEN	1
5	A0003239647	PLATE-LH SIDE REAR NEMESIS-MG GREEN	1
6	A0003239648	BRKT-BATTERY HOLD DOWN-NEM-MG GREEN	1
7	A0003239649	BRKT-LH BATTERY-NEM-MG GREEN	1
8	A0003239650	BRKT-RH BATTERY-NEM-MG GREEN	1
9	A0003239651	BRKT-CHARGER MOUNT-NEM-DR BLACK	1
10	A0003239652	CHARGER COVER BACKING-NEM-DR BLACK	1
11	A0003239653	REAR-CHARGER COVER-NEM-MG GREEN	1
12	A0003239654	PLATE-RH SIDE REAR NEMESIS-MG GREEN	1
13	A0003239655	BRKT-CHARGER SPACER PLATE-NEM-DR BLACK	1
14	A0003239656	PLATE-HITCH-NEM-MG GREEN	1
15	MGELC061-1	RIGHT ANGLE PLUNGER SWITC (NC/NC)	1
16	MGELC182	SBX175 RED CONNECTOR	1
17	MGELC115	ON/OFF BATTERY SWITCH	1
18	A0002373947	CHARGER-48VDC-23A-110VAC-PPZ-1	1
19	MGELC032	SB120A600B RED CONNECTOR	1
20	A0002979720	BRACKET-STRAIN RELIEF-CHARGER- DR BLACK	1



ITEM NO.	PART NUMBER	DESCRIPTION	QTY.
1	A0002828738	60" DECK WDMT - MG GREEN	1
2	MGUPN107	20.60" RH BLADE 0.187" THK-CXR 60/RWB 52	3
3	MGUPN509	BLADE MOTOR SPACER	3
4	MGUPN022	ANTI-SCALP WHEEL	1
5	MGELC185	D2e DECK MOTOR	3
6	A0003171659	BRKT-60IN DISCHARGE FLAP DECK MT- MG GREEN	1
7	MGUPN059	CHUTE-VORTEX 52/60 SIDE DISCHARGE	1
8	A0003171661	WDMT-60IN DISCHARGE FLAP BRACKET-MG GREEN	1
9	A0003171663	BRACKET-60IN DISCHARGE FLAP CLAMP- MG GREEN	1
10	A0003171665	BRKT-DECK MTR CABLE PROTECTION-MG GREEN	3
11	MGUPN172	PLASTIC ANTI-SCALP WHEEL SPACER	4
12	MGUPN496	ANTI-SCALP WHEEL SPANNER	4
13	MGHDW151	1/2-13x3-1/2 PT HHCS	3
14	MGHDW210	1/2 FLAT WASHER	3
15	MGHDW216	1/2" LOCK WASHER	3
16	MGHDW131	3/8-16x4.00 PT HHCS	4
17	MGHDW414	3/8 FLAT WASHER	8
18	MGHDW305	3/8-16 NYLOCK	4
19	MGUPN092	DECK STEP ALUMINUM	2



<u>ITEM NO.</u>	<u>PART NUMBER</u>	<u>DESCRIPTION</u>	<u>QTY.</u>
1	A0003171693	WELDMENT-DECK 48IN- MG GREEN	1
2	MGUPN099	BLADE-16.25IN STK 48-RH-SH	3
3	MGUPN509	BLADE MOTOR SPACER	3
4	MGUPN022	ANTI-SCALP WHEEL	1
5	MGELC185	D2e DECK MOTOR	3
6	A0003171695	BRKT-48IN DISCHARGE FLAP DECK MT- MG GREEN	1
7	MGUPN057	CHUTE-VORTEX 48 SIDE DISCHARGE	1
8	A0003171697	WDMT-48IN DISCHARGE FLAP BRACKET - MG GREEN	1
9	A0003171699	BRKT-48N DISCHARGE FLAP CLAMP- MG GREEN	1
10	A0003171665	BRKT-DECK MTR CABLE PROTECTION-MG GREEN	3
11	MGUPN172	PLASTIC ANTI-SCALP WHEEL SPACER	2
12	MGUPN496	ANTI-SCALP WHEEL SPANNER	2
13	MGHDW151	1/2-13x3-1/2 PT HHCS	3
14	MGHDW210	1/2 FLAT WASHER	3
15	MGHDW216	1/2" LOCK WASHER	3
16	MGHDW131	3/8-16x4.00 PT HHCS	2
17	MGHDW414	3/8 FLAT WASHER	4
18	MGHDW305	3/8-16 NYLOCK	2

